

## CSG Advanced CCS

# Today's Inflexible Charging Systems Aren't Built for 5G

Leverage the power of 5G now with minimal disruption to your existing 3G/4G services, partners, customers and most importantly revenues.

- Deploy new products & promotions to the market within minutes
- Deliver services across 3G, 4G and 5G access types
- Scale to support networks of any size
- Ensure service and revenue continuity while evolving to 5G
- Serve multiple MNO tenants on one centralised platform
- Deploy on-premises or in the public or private cloud

## Unlock 5G Revenues Now With Converged Charging and Policy

Aligned with 3GPP and TM Forum standards, Advanced CCS offers the interoperability and efficiency you need to reduce time to market and time to revenue.

## Be ready today for tomorrow's use cases

Quickly build charging and policy models for any use case even complex multi-party offers from 5G and massive IoT to network slice and edge-based charging. Existing charging systems are challenged by new 5G plans and services including complex, multiparty charging for B2B2X services, or latency-based charging for critical activities

## 3G/4G charging and policy can't scale

5G transactions are exponentially greater than 3G/4G, so existing systems that aren't cloud-native can't scale efficiently to match the higher volumes

## Cloud and network vendor agnostic solutions

Cloud-agnostic solutions deliver disruptive agility and lower long-term operational costs. Network vendor agnostic solutions remove vendor-lock in and allow multi-vendor environments to be supported with ease.

**CSG Advanced CCS is a highly configurable solution that offers real-time charging, rating and policy control across all networks for all services and all subscriber types.**

### Evolve While Protecting Existing Services and Revenues

Transitioning to 5G SA may seem very complicated. Advanced CCS can be deployed alongside your existing charging and revenue management systems to enable you gradually migrate your subscribers, plans and services while monetizing your 5G traffic now.

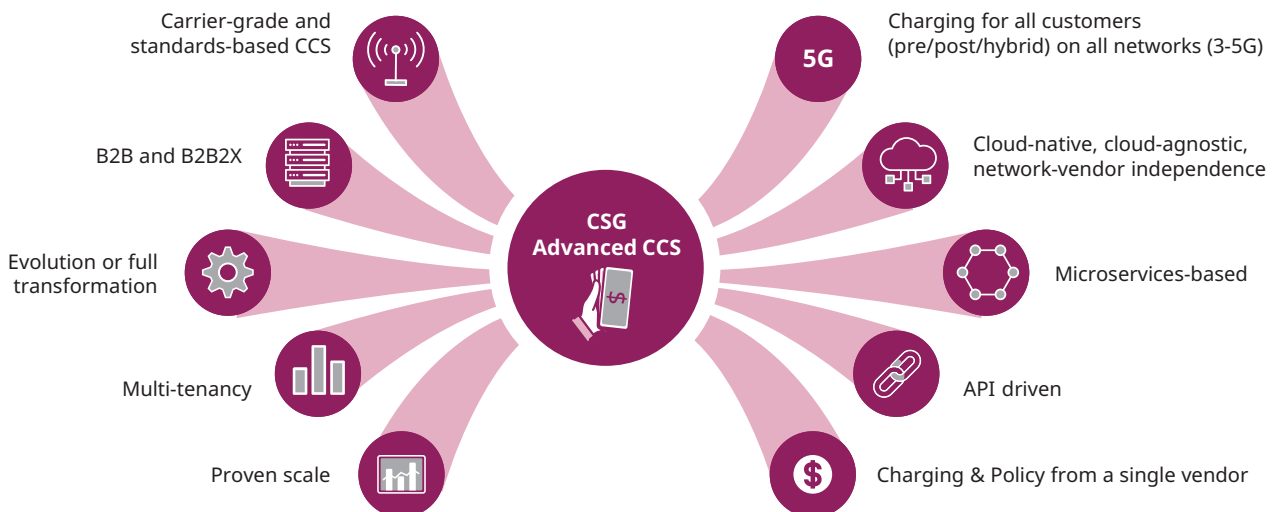
**The converged charging system (CCS) is responsible for generating call data records (CDRs) in a 5G core.**

### Charging Without Limits

CSG Advanced CCS is a modular, cloud-native and cloud-agnostic 5G converged charging system (CCS), designed to drive 5G innovation with minimal disruption to existing services, customers, partners and revenues. The solution supports virtually any monetization model (prepaid, postpaid, subscriptions, shared balances, network slices, etc.).

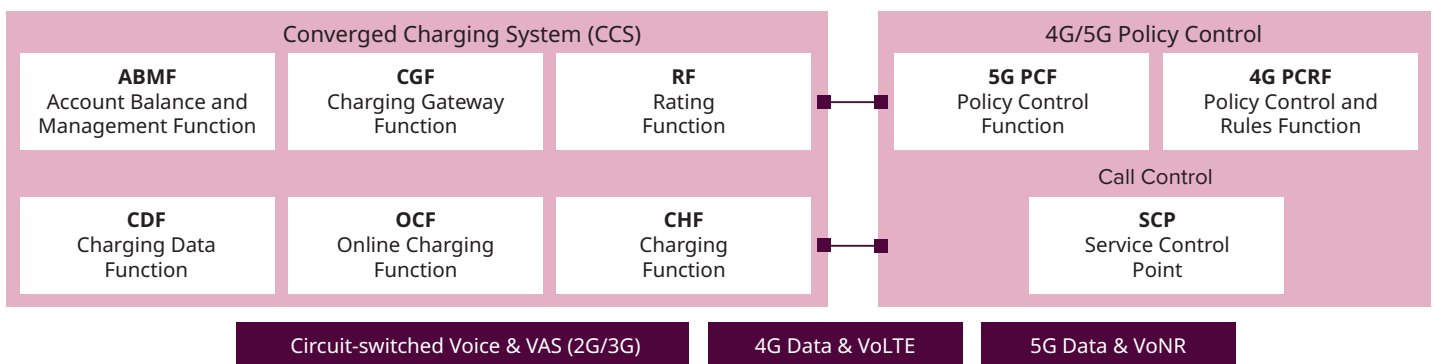
With Advanced CCS, you can control and monetize network slices and edge-based deployments, as well as a wide variety of 5G-enabled use cases like AR/VR, Gaming, Massive IoT and Critical IoT. The vendor-agnostic and standards-based solution is designed to handle the complexity of multi-vendor, multi-service environments.

### Advanced Charging for Advanced Networks



- Simplify your overall network footprint by controlling and monetizing 5G, 4G, 3G and even 2G traffic on a converged charging and policy control framework
- Rapidly launch of all types of use cases (5G/4G/3G/2G), protecting existing revenues while trialing new business models
- Optimize total cost of ownership for rapid deployment, configurable set-up and “pay-as-you-scale” operations
- Size and scope for your business need, from tens to millions of transactions/second
- Leverage 4G PCRF and 5G PCF to enable high-value offerings
- Scale dynamically with consistent and low latency for all operation types
- Distribute across multiple sites in active/active mode, protecting revenues and business continuity
- Deployable using CNCF standards, supporting deployment on premise, in public or private clouds

### CSG Advanced CCS



### About CSG

CSG empowers companies to build unforgettable experiences, making it easier for people and businesses to connect with, use and pay for the services they value most. Our customer experience, billing and payments solutions help companies of any size make money and make a difference. With our SaaS solutions, company leaders can take control of their future, and tap into guidance along the way from our more than 5k-strong experienced global team.

Want to learn more about how to be a change maker and industry shaper like our 1,000-plus clients? Visit [csgi.com](https://www.csgi.com) to learn more.